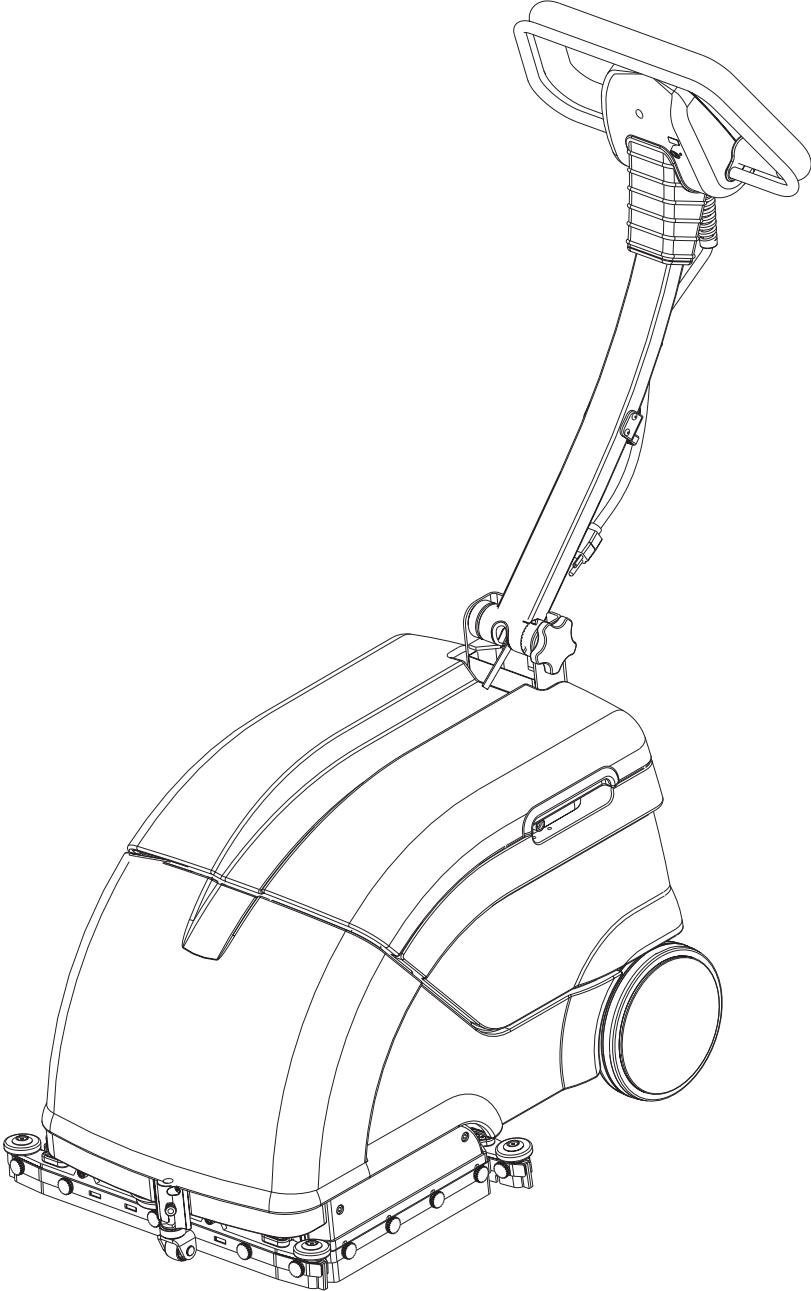


Minuteman[®]



PORT A SCRUB 14

Floor Scrubber Drier



Contents

Instruction Manual

Preface.....	2
Introduction	
Proper Use.....	4
Notes on Warranty.....	5
Acceptance of the Machine.....	5
General Safety Provisions	
Operation.....	5
Transport.....	6
Park Position.....	6
Handling Mains Cable.....	6
Operation	
Machine.....	7
Useful Advice for Optimum Cleaning.....	7
Working Principle.....	7
First Operation	
Assembly.....	7
Before Operation.....	7
Description	
Controls.....	8
Control Panel.....	9
Detergent Infeed.....	9
Squeegee Governor.....	10
Mount / Dismount Brushes.....	11
Squeegee.....	12
Squeegee (Initial Fitting).....	12
Change Sealing Strips.....	12
Clean Nozzle.....	12
Fill Water.....	13
Operation	
Operation.....	13
Soiled and Fresh Water Tanks.....	14
Electric System.....	15
Technical Data.....	15
Maintenance	
Maintenance works.....	17

Contents

Spare Parts Manual

Chassis Group.....	21
Handle Group.....	23
Brush Drive Group.....	25
Brush Head Group.....	27
Vacuum Motor Assembly.....	29
Vacuum Motor Group.....	31
Squeegee Group.....	33
Squeegee Lifting System.....	35
Water Feed System.....	37
Tank Group.....	39
Drive Group.....	41
Electrical Group.....	43
Port A Scrub 14 Assy.....	47

Instruction Manual

Preface

Dear customer,

It is our desire that the excellent properties of the Port A scrub 14 should justify the confidence you demonstrated by making this purchase. Before first operation of your Port A scrub 14 read these instructions carefully. They will inform you in detail about operation of the item and contains valuable information on operation, service and maintenance.

Port A scrub 14 machine is an ideal machine to clean floors in small and medium areas like Offices, Hospital, Restaurant, Shopping complexes and many commercial applications.



has been used in this manual at several places and identifies particular areas that are of essence for your safety. Please pass all safety instructions on to other persons operating this machine.”

The symbol,



has been used in this manual at several places and identifies particular areas that the operator should be cautious.

The symbol,



has been used in this manual at several places and identifies particular areas that the operator should note at the time of operation



Prior to first operation, read the manual carefully and strictly comply with the instructions contained.

Please be advised explicitly that we cannot accept any legal claims out of the contents of this manual.

If repair work has to be performed, make sure that only genuine spare parts are used since genuine spare parts only may guarantee continuous and dependable operation of your machine.

Valid as for JULY 2007

Minuteman International, Inc
111 South Rowling Road,
Addison, IL 60101-4244, USA.

Introduction

Proper Use

The Port A scrub 14 vacuum scrubbing machine has been exclusively designed for floor cleaning, such as wet scrubbing and vacuuming. Whatever sort of use beyond the specified range will be deemed improper use: the manufacturer can not be held liable for consequential damages.

The term of proper use also includes compliance with the manufacturer's instructions about operation, maintenance and repair.

The Port A scrub 14 may be used, serviced and repaired by persons only that are familiar with the machine and are aware of possible hazards involved. The appropriate Accident Prevention Regulations as well as applicable general regulations about safety and health at work will have to be complied with.

Modifications made to the Port A scrub 14 in absence of the manufacturer's consent will relieve the manufacturer from a possible liability for consequential damage.



This machine is not suitable for evacuation of dusts, which are explosive or dangerous to health.

Notes on Warranty

The terms of the sales contract apply. Damages are not subject to warranty if they are due to non-compliance with the maintenance and service provisions.

Any maintenance work has to be performed by an authorized Minuteman service workshop and confirmed in the "Maintenance certificate" which is the warranty document.

The following is excluded from warranty:

Natural wear and tear after overload, blown fuses and damages caused by inexperienced handling and unauthorized modification of the machine.

Moreover, any claim for warranty expires if damages at the machine are caused by fitting of parts or accessories without Minuteman's prior and explicit consent or by non-compliance with the maintenance instructions.

Acceptance of the machine

Upon arrival, check your consignment for possible transit damage. Please have the railway authorities or the freight forwarder confirm such damage and mail your damage report and waybill to:

Ours Address :

Minuteman International, Inc
111 South Rowling Road,
Addison, IL 60101-4244, USA.

General Safety Instructions



General Safety Instructions

Apart from the information contained in this manual, the generally applicable legal provisions for safety and prevention of accidents must be adhered to. Do not put this manual aside without having read it, even if you did already operate similar ground cleaning equipment before. Allow yourself the time to do so in order to save time at a later moment. The operator is responsible for all persons in the working area. Children have to keep clear of the Port A scrub 14 in operation. Nobody is allowed to stay in the zone of danger.

The warning and instruction plates attached to the Port A scrub 14 give important advice about safe operation. Replace lost or illegible stickers. Before starting to work, the operator has to check that the Port A scrub 14 and its working implements are in proper and safe operating condition.


Machines with known defects must not be used. It will be of essence to make yourself familiar with all accessories and controls, as well as their functions, before you start working. Avoid the mess of having to read this book while trying to run the machine.

Operation

Ground cleaning machines may be run by qualified personnel only; such personnel will have to have evidenced their qualification for running the machine to the owner or his authorized representative; operators explicitly will have to be instructed by the owner or his authorized representative to use the machine.

The machine may be used for cleaning such surfaces approved by the owner or this authorized representative.


To prevent damages at the brushes as well as at the floor, do not let the Machine run dry. The machine has been exclusively designed for wet scrubbing and vacuuming.


 Turn the motors off, fold the support roller and the operating handle down and protect the machine against unintended movements before leaving it unattended. Use genuine spare brushes as specified by the manufacturer. Use of other than the indicated brush types may affect safety.

When transporting the Port A scrub 14, shut down the motors of the working implements. The operator has to use the machine in accordance to its intended fields of application. During operation, he has to take account of the local conditions (stairs, obstacles) and of other persons, in particular to children. Turn off the machine before any passage over dormers.

Use cleaning agents only, which are suitable for automatic machines (low foaming), and adhere to the instructions for use, disposal and to the precautions specified by the manufacturer of the cleaning agent.

 **Make sure to connect the Port A scrub 14 to a socket equipped with earthed protective wire and to mains of adequate voltage and frequency**


 Never collect explosive fluids, undiluted acids and solvents! This includes e.g. gasoline, paint thinners or fuel oil, Which-when penetrating the air being taken in may form explosive vapors or mixtures; moreover acetone, Undiluted acids and solvents if they should be aggressive to the material used for the machine components.

 The machine may be used only on indoor hard floorings and for operation on level grounds with a maximum inclination of up to 2 %



Using the machine on public roads and places is not admitted. Qualified personnel only are admitted to perform maintenance and repair work .

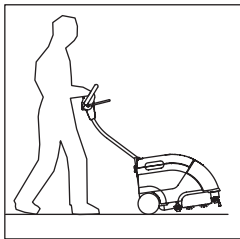
Turn the machine off and disconnect the mains plug before cleaning and maintaining the machine, when replacing parts or when change over to another function.

 Do not clean the machine by means of vapour jet or high pressure cleaning equipment. Do not allow water penetrate the electrical parts.

The machine is splash-water proof (IPX3).

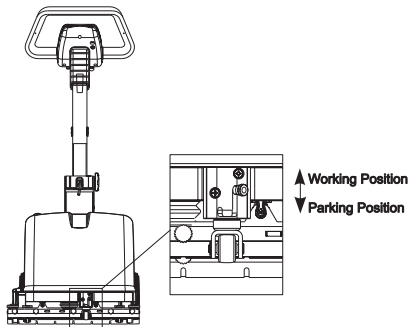
Use of the machine in areas endangered by explosion hazard is not admitted.

Transport



The front roller of the Port A scrub 14 has been fitted for parking the machine only and precludes damages to the floor .It is thus recommended to lift up the brush head as represented before transporting the Port A Scrub 14.

Park Position



If not operated, the Machine has to be stored in its park position. This position is attained by using the support roller located at the front of the machine as represented. Actuate the support by a lever located above the support roller (see Fig.) And the brush head of the machine is lightly lifted. This is to preclude deformation of the brushes.

Handling Mains cable Assembly

Make sure that the mains cables are not damaged by passing over them by pinching, pulling or other impacts. Check the mains cables for ageing and damages at regular intervals. Replace them by the type ST cable 14 AWG / 3 Core (UL / CSA approved) with 15 m length. Power plug and connectors shall be rated for 125 Volts, 20 Amps (UL / CSA approved) having standard NEMA configuration for locking types as specified by the manufacturer. When replacing the coupling plug of the mains cable or when connecting lines respect the splash water protection and the tensile strength of the components.

Operation

Port A scrub 14

Wet cleaning of hard floorings requires equipment with squeegee and brushes suitable for the type of floor to be cleaned.

The rotating brushes and the cleaning lye scrub the dirt and clean the floor thoroughly while the squeegee collects the lye immediately. The floor is dry and clean can be stepped on immediately.

Useful advice for optimum cleaning

Before wet cleaning, sweeping the floor is required. This is not only to improve the cleaning effect but to significantly reduce the wearing of the machine.

In case of heavy soiling or for wax removal (basic cleaning), a second treatment of the floor may be required. In the first cycle, the floor is scrubbed with a detergent solution adopted to the degree of soiling.

This cleaning agent acts on the floor according to the specifications of the manufacturer for about 5 to 10 minutes, then scrub the floor gain with the squeegee being lowered.

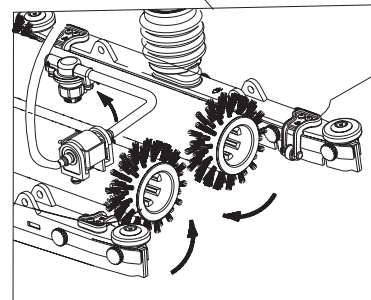
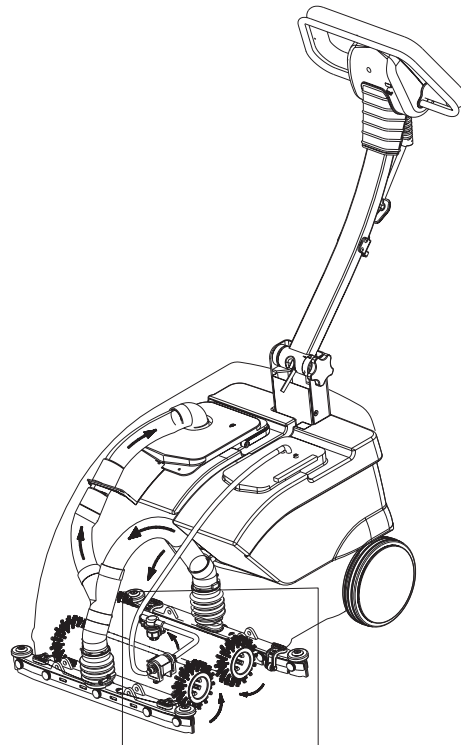


Comply with the instructions for correct dosage of detergent. Correct dosage will help you save money And protect the environment.

Occurrence of great quantities of foam will affect functioning of your machine.

Actually, it indicates excessive dosage or improper suitability of dosing and degree of soiling. Unused detergent particles in the soiled water lead to formation of foam. Refer to the detergent reservoir for information on correct dosage. Take the manufacturer's recommendations as a first basis. Test made by yourself in practice will help you find the ideal type of detergent and the perfect dosage applicable to it.

Working Principle



First Operation

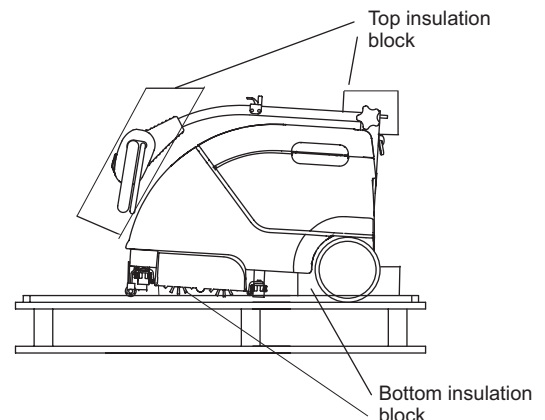
Assembly

The Port A scrub 14 is delivered in a card board box. The bottom is a wooden pallet to which the machine is fastened by plastic straps. Open the bottom side of the box and pull it upwards, then loosen the straps and take the machine from pallet.

Before Operation

1. Upon delivery, the Port A scrub 14 has been secured by insulation blocks at the bottom and the top to preclude unwanted movement of the machine. After taking the machine from the pallet:

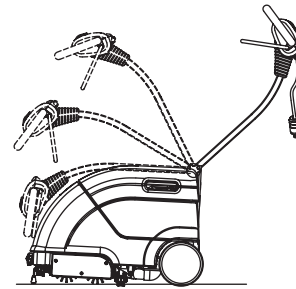
- (I) Open the cardboard box at the top side
- (II) Remove the insulation blocks
- (III) Take the Port A scrub 14 off the box and avoid any damage to the machine
- (IV) The operating handle of the Machine is still in its transport position.



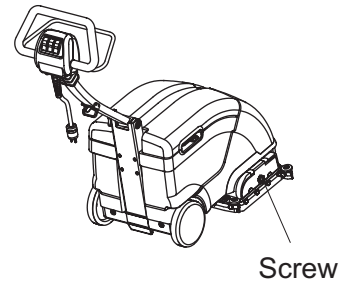


CAUTION: Mains-operated machine! Qualified personnel only is admitted to open the machine; Any work such as e.g. Maintenance or repair actions at the electric components have to be executed with adequate tools only and by qualified personnel only.

2. After taking the Port A scrub 14 to its park position, set the operating handle into its working position by releasing the button at the side. After the handle has been set into service position, engage the button again to preclude the handle from displacing. After operation, the handle can be folded back again as described above. In this folded position the handle is protected against the damages and requires less storing space.



3. Open the lateral brush head cover by loosening the screw. Then insert the enclosed brushes into the housing. The Port A scrub 14 has been equipped with screws to facilitate removal and fastening of the brushes



4. After folding of the lid, filling of the fresh water tank is possible. Before filling with fresh water, take the support roller out of its parking position.



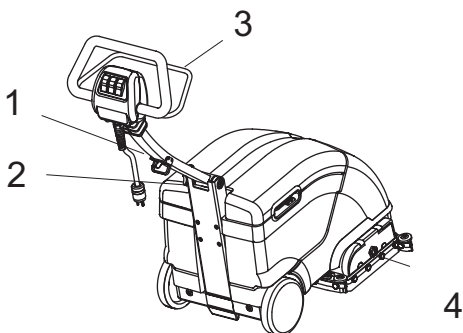
Make sure that all covers and flaps have been fitted before starting operation



A damaged mains cable has to be replaced by specific cable available at the manufacturer or an authorized service centre.

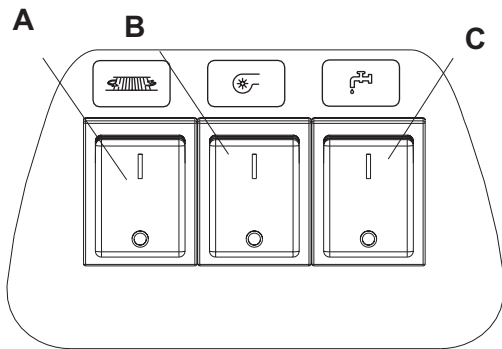
Description

Controls



1. Adjustable handle
2. Button for Handle
3. Squeegee Governor (forward, reverse)
4. Screw for brush removal

Control panel



1. Brush motor, suction motor and water pump switches



A. Brush motor switch ON / OFF

- Function in ON if switch “A” is in position “I”



B. Suction motor switch ON / OFF

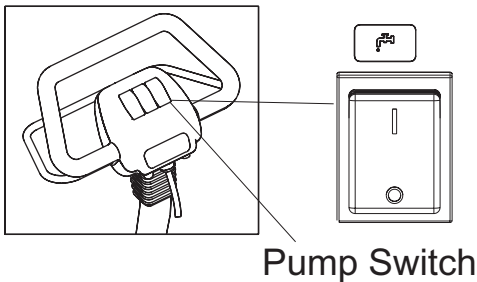
- Function in ON if switch “B” is in position “I”



C Water pump switch ON / OFF

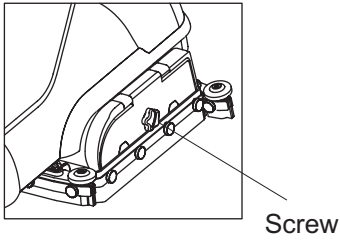
- In “I” position of the switch, water is steadily pumped to the floor.
- In “0” position of the switch, no water is pumped.

2. Detergent infeed



- The Port A Scrub 14 allows mixing of cleaning lye and fresh water in the tank. The amount of detergent required for cleaning can be regulated by the pump switch. If the switch is set to the position “I” the cleaning lye is continuously supplied. If the solution is required by intervals only, press the switch and hold in position “I”. This function helps to save detergent.

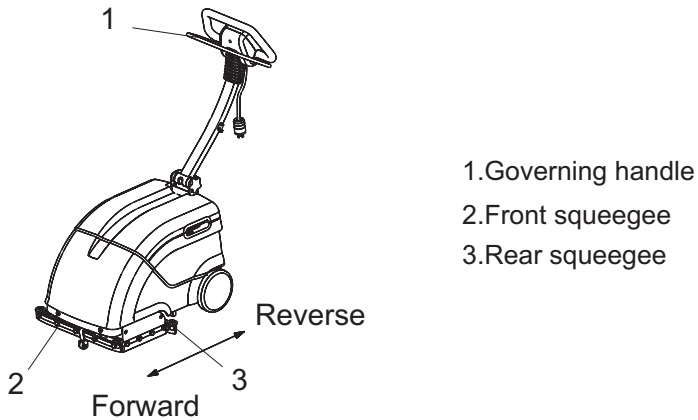
Screw for fitting the Brush



Disconnect the mains plug before mounting or dismantling the brush. Loosen the screw for fitting the brush before use of the machine and afterwards for removal of the brush. Change the brush position after each use in order to preclude one-side wearing.

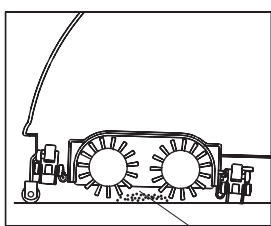
- Loosen the screw before dismantling the brush from the Port A Scrub 14
- Dismount the brush from the Port A Scrub 14 after every use. Take the machine into the park position before

Squeegee Governor



1. Governing handle
2. Front squeegee
3. Rear squeegee

The front or the rear squeegee of the Port A Scrub 14 is lowered and has contact with the floor. The operator may change squeegee position according to the direction of travel of the machine.



- If the port A Scrub 14 is in its working position and pushed forward, the rear squeegee has contact with the floor while the front squeegee is lifted.

Water

End of operation

Due to the counter-rotation of the brushes, some water remains between the brushes at the end of operation. Proceed thus as follows at the end of operation

- Take the machine into park position
- Turn suction motor on
- Move the machine a little bit forward

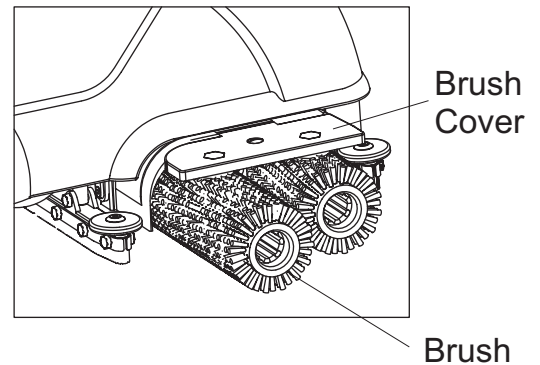
During this movement, the rear squeegee takes in the water.

Mount / Dismount brushes

According to the type and degree of soiling, the Port A Scrub14 can be equipped with brushes from the accessories. Refer to chapter "Technical Data" on page 17.

Mount Brush

- Use the support roller located at the handle side of the Port A Scrub 14 to set the machine into its park position.
- Remove screw of the brush cover.
- Fasten supplied brushes at the drive rollers at the inside of the opposite cover.
- Close brush cover such that the guiding rollers and the brushes safely catch.



When mounting, check the safe catching of rollers and brushes..



Before cleaning or maintaining the machine as well as before replacing parts of it, turn the machine off and disconnect the plug.

Dismount Brushes

- Use the support roller located at the handle side of the Port A Scrub 14 to set the machine into its park position.
- Loosen screw.



When inserting the brushes for the next operation, make sure to change position of the brush such that one- sided brush wearing is precluded.

Brush maintenance

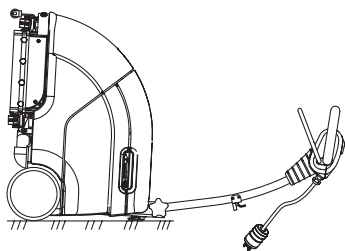


Fig. 1

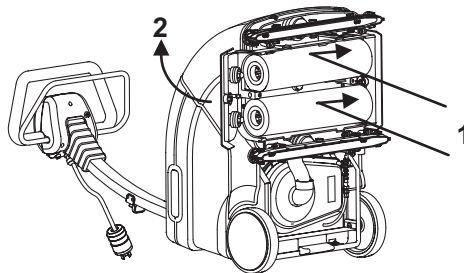


Fig. 2

- Remove fresh and soiled water tanks
- Use the support roller located at the handle side of the Port A Scrub 14 to set the machine into its park position.
- Use the adjustment screw to set the operating handle of the machine into vertical position, and then tilt the machine down as represented.
- Loosen screw and fix the brushes manually as represented in Fig. 2 in direction 1.
- Open brush cover in direction 2.
- Remove brushes
- Clean brush compartment
- Insert brushes, close brush cover and secure with screw.
- Set Port A Scrub 14 in upright position.
- Use adjustment screw to set the operating handle into working position
- Set front support roller into working position.
- Re-insert fresh and soiled water tanks.

Squeegee

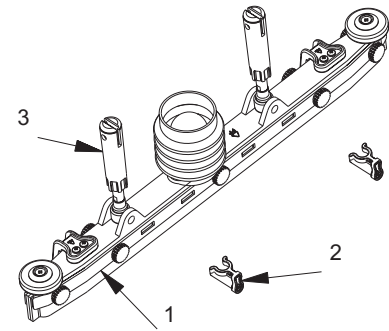
The Port A scrub 14 has been equipped with a squeegee of 450 mm working width. The squeegees can be lifted-out alternately



Check the squeegee for collected foreign particles and

Mount Squeegee (Initial Fitting)

- Lift squeegee and hold it to the squeegee holders (3).
- Mount squeegee (1) to the squeegee holder by means of screws (2) as represented
- Check the smooth running of the bottom sleeve at the squeegee holders for perfect hinging.



1.squeegee
2.squeegee screw
3.squeegee holder

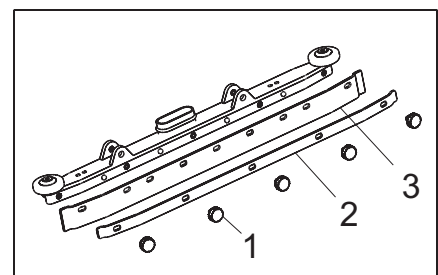
Dismount Squeegee

- Lift brush head of the Port A Scrub 14 in order to access the squeegee screws.
- Remove both screws (2) as represented.
- Pull squeegee to the bottom to remove it from the machine.

Change Sealing Strips

No tools are required for dismounting the sealing strips. Proceed as follows:

- Dismount squeegee (refer to paragraph "Dismount squeegee").
- Unscrew knurled screw (1)
- Remove support strip
- Proceed to mounting of new sealing strip in reverse order.
- Tighten the knurled screws (by hand) and from the centre towards the outsides (slotted sealing strips point to the front, plain ones to the back)



1. Knurled screw
2. Support strip
3. Sealing strip



The rear sealing strip can be turned round if worn at the front edge.

Clean nozzle

The nozzle clogs after some hours of operation. It thus required to clean the nozzle at daily intervals before start of operation.

Proceed as follows for cleaning the nozzle:

(I) Remove nozzle

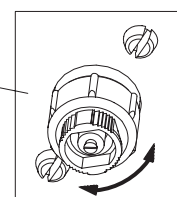
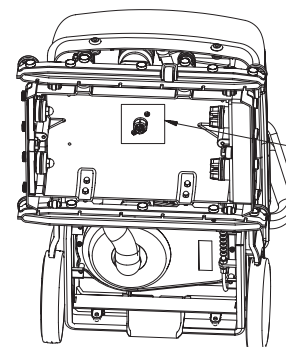
- Dismount brushes from the Port A Scrub 14 (see "Dismount/Mount Brushes").
- Lift machine and lay down on its back as represented.
- Turn the nozzle to the left

(II) Clean nozzle

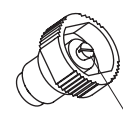
- Clean nozzle by compressed air or water

(III) Mount nozzle

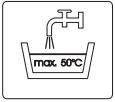
- After cleaning, insert nozzle by screwing clockwise
- make sure that the nozzle slot is as the mounting direction of the brushes.
- Upright machine



Tighten
NOZZLE



Nozzle Slot



Fill water

Fill fresh water and detergent as described below before start of operation.

- Open tank lid and fold back
- Fill fresh water tank with water (50°C max.) And detergent in relation to the dirt encountered and according to the specifications by the manufacturer.

Filling Amount : 10 litres max.



Use detergents suitable for automatic machines (low foaming) in order to preclude damages at the suction turbine. We recommend Minuteman detergents for cleaning and care, which are perfectly adopted to the Port A Scrub 14. These products fulfil the requirements of the Detergents Act

Operation

Operation

- Use the button to take the support into working position.
- Turn switch "A" ON to make the brush rotate.
- Turn switch "C" ON to open supply of fresh water with or without detergent.
- Turn switch "B" ON to start suction turbine running.

Turn all switches OFF after operation and remove the brushes from the Port A Scrub 14. Mount the brushes in inverse order of dismounting before next operation. This measure extends service life of the brushes.



Start operation of the machine by pushing forward immediately after switching on. This measure extends Service life of the brush motor. When brushing in reverse direction lift the rear squeegee with the squeegee governor. Make sure that during the operation of the machine the mains cable always



Turn the brush drive off before passing over dormers of a height of 10mm and more.



Danger when passing over the mains cable with rotating brushes.

Start cleaning in the socket area and clean by stripes. If the surface is not obstructed, start at borders and forward counter-clockwise. Clean the remaining surface by stripes and starting in the socket area. Divide partly obstructed surfaces into areas in the reach of the mains cable. Within shortest time, the operator will know to avoid unnecessary hindrance caused by the mains cable.

At the end of cleaning:

- Turn machine off and set it to its park position
- Empty and rinse soiled water tank (see paragraph "Soiled and Fresh Water Tanks")
- Clean sealing strips of the squeegee
- Check the sieve at the inlet opening of the fresh water tank and clean if required in order to maintain suction performance.



Do not clean the machine by means of a water jet or high-pressure cleaning equipment to avoid endangering your safety and the operability of the machine.

Soiled and fresh water tanks

The Port A Scrub 14 is equipped with a soiled and a fresh water tank (lye tank). The filling amounts to 10 litres. Do not fill beyond the maximum mark and do not exceed a water temperature of 50°C

A suction hose delivers the soiled water into the soiled water tank.



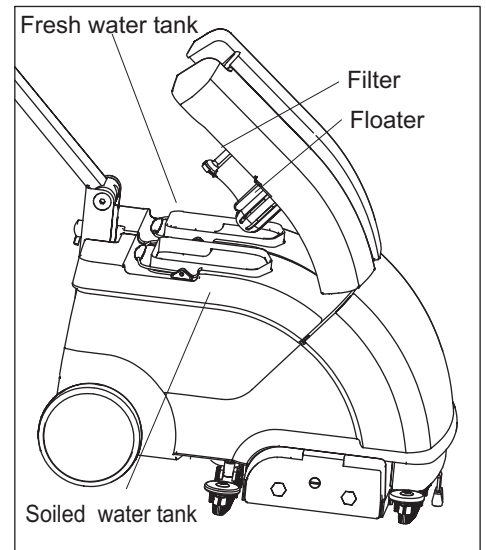
Do not take in larger amounts of secondary water (water pools)



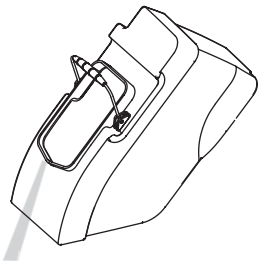
To avoid settling of residues empty and rinse the soiled And fresh water tanks after work on principle.



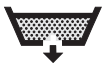
Comply with the legal provisions for disposal of soiled Water. Check and clean the suction filter in the tank lid for soiling in regular intervals.



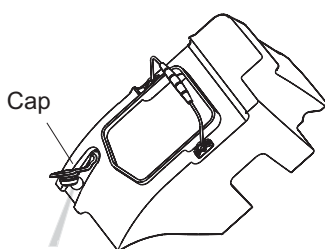
Clean soiled and fresh water tanks



- Slowly tilt the tank as represented to drain water before cleaning the tank



Empty Soiled water tank



- Hold the tank as represented
- Open the tank and drain water
- Close cap

Electric System

The electric system of the Port A Scrub 14 operates at a mains voltage of 110-120V / 60Hz.

After opening the machine top, the brush motor and the suction turbine are well accessible.

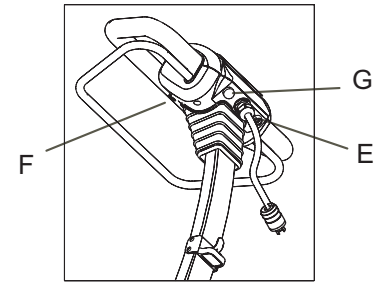
A T10A fuse (E) protects the suction turbine and has to be replaced by the same type if blown (T stands for slow-blow).

The suction turbine is low-maintenance type; its carbon brushes only have to be checked after every 200 hours of operation.


The brush motor is protected by a cutout (G) which can be manually reset. In case of tripped cut-out, detect the cause and remedy before re-starting the machine.

The pump is protected by a T0.5A fuse (F). Replace by the same type of fuse.

Reset the cut-out by pushing down the transparent dome of the fuse box. After tripping, wait for approx. 30 seconds before resetting.



E .Suction motor fuse
F. Pump fuse
G. Brush motor cut-out

 **In case of repeated fuse blowing detect the cause. We recommend having all work at the electric System done by qualified personnel only.**

 **Before starting work at the electric system, disconnect the mains plug. After work at the electric system is finished, proceed to a safety test**

Technical Data

Dimensions			
Length	mm	700	
Width	mm	470	
Height (with closed Handle)	mm	540	
Working width			
Squeegee	mm	450	
Scrubbing	mm	350	
Surface performance, Theoretical	m ² /h	1400	
Driving speed	Up to km/h	4	
Weights			
Deadweight, dry	kg	40-43	
Total weight, ready to operate, wet	kg	50-53	

Wheel			
Rear wheel, dia	mm	175	
Tank capacities			
Fresh water tank	l	10	
Soiled water tank	l	11	
Throughput , max.	l/min	0.5	
Brush head			
No. of brushes	Qty.	2	
Brush dia	mm	100	
Brush speed	rpm	780	
Brush contact pressure, max.up to	kg (N)	16-19	
Vacuum suction			
Nominal vacuum pressure, min.	mm Hg	60-80	
Electrical equipment			
Rated Current, max.	A	14	
Rated voltage	AC/Volt	110-120	
Frequency	Hz	60	
Nominal power, total, max.	W	1340	
Circuit breaker for brush motor	A	9	
Fuse for vacuum motor	A	T10	
Brush motor	W	600	
Suction turbine	W	850	
Pump	W	29	
Fuse for Pump	A	T0.5	
Noise level			
Sound pressure level	db(A)	73	

Brushes	Intended Use
Brush, PA	Smooth floor
Brush, PP	Medium Smooth Floor
Brush, Silicon Carbide	Hard Floor

Maintenance

Maintenance work

Compliance with our recommendations concerning maintenance work will give you the certitude always having a machine at your disposal, which is ready to work and in good operating condition.

It is better to take precautions than to repair damages - and less expensive! Please contact your local contract dealer; the people there will be glad to perform that work for you. There well trained personnel and genuine spare parts are at your disposal. In case of any inquiries or orders for spare parts, please always quote the machine's serial number indicated on the nameplate. The nameplate is located at the rear side of the machine.



Turn the machine off and disconnect the mains plug before cleaning or maintaining the machine.

For safety reasons, secure the lifted tank lid against inadvertently closing or lowering during all cleaning or maintenance work in or at the tank. Operate the machine only with all safety devices being fitted and in protective position. Do not proceed to cleaning by hand but use appropriate tools or auxiliary means. Maintenance or repair work has to be done using appropriate tools and by qualified personnel only. For safety reasons use genuine spare parts.



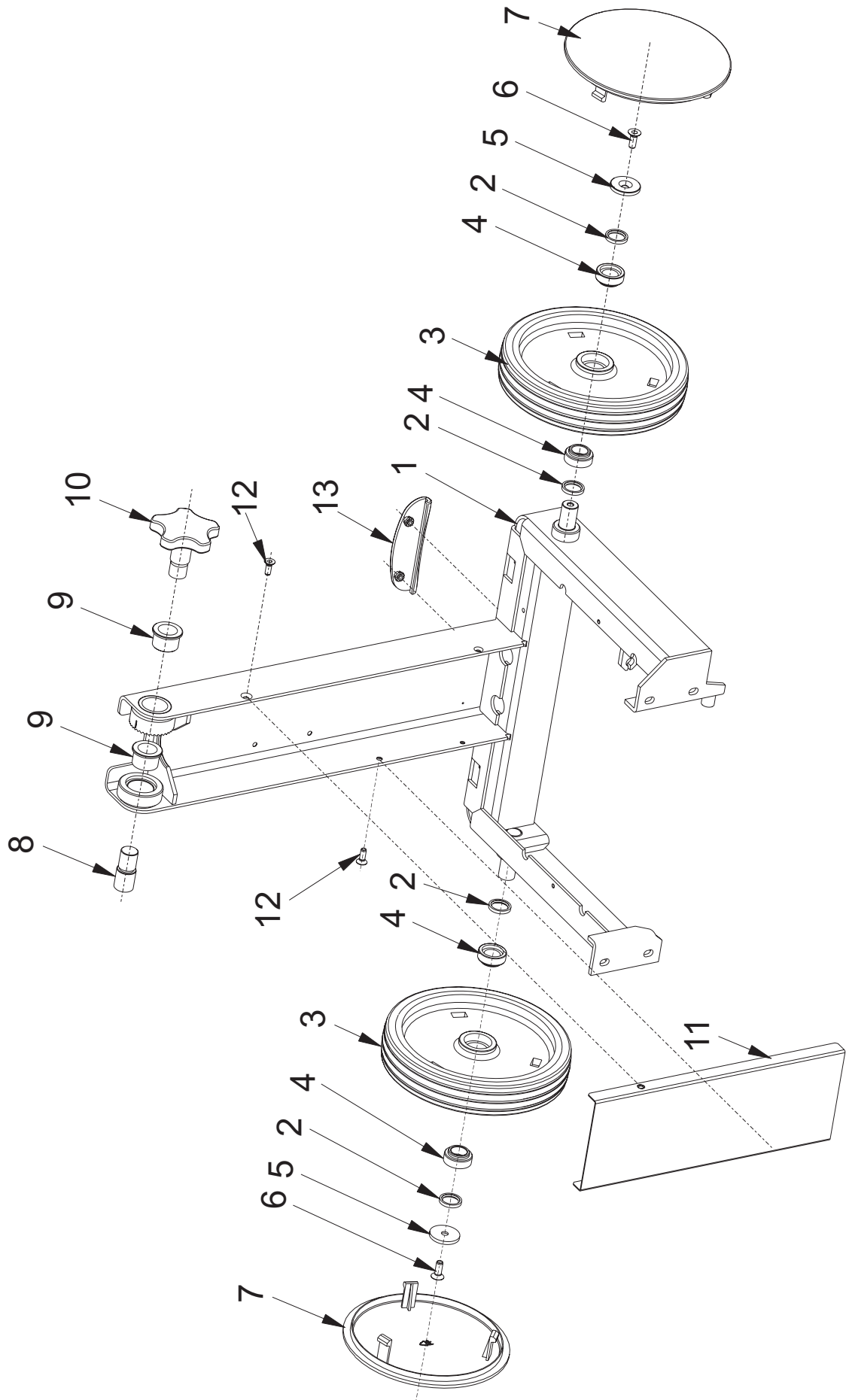
Before proceeding to the maintenance and/or inspection or repair works mentioned in following, execute a functional check of all operating elements and units in order to detect Eventual failures. After repair work has finished, operate the machine after having performed a safety check only.

Maintenance work	Daily	Service hours		
		every 50	every 100	every 200
Check connections, extension cable and plug for good condition, replace defective cable	X			
Empty and clean (rinse) soiled water tank	X			
Check sealing strips at the squeegee for condition.	X			
Check squeegee for collected foreign matters and clean if required	X			
Check the floater for function	X			
Check filter sieve of the fresh water tank and clean if required..	X			
Check squeegee sealing strips for wearing and replace if required.		X	X	X
Check the brush for tight fit and wearing and replace if required. Clean brush casing by Brush	X	X	X	X
Check the tank lid gasket and replace if required.			X	X
Check fresh water infeed to the brushes		X	X	X
Check suction motor from carbon dust and check carbon brushes for smooth operation and wearing. Replace carbon brushes if required.				X
Clean nozzle	X			



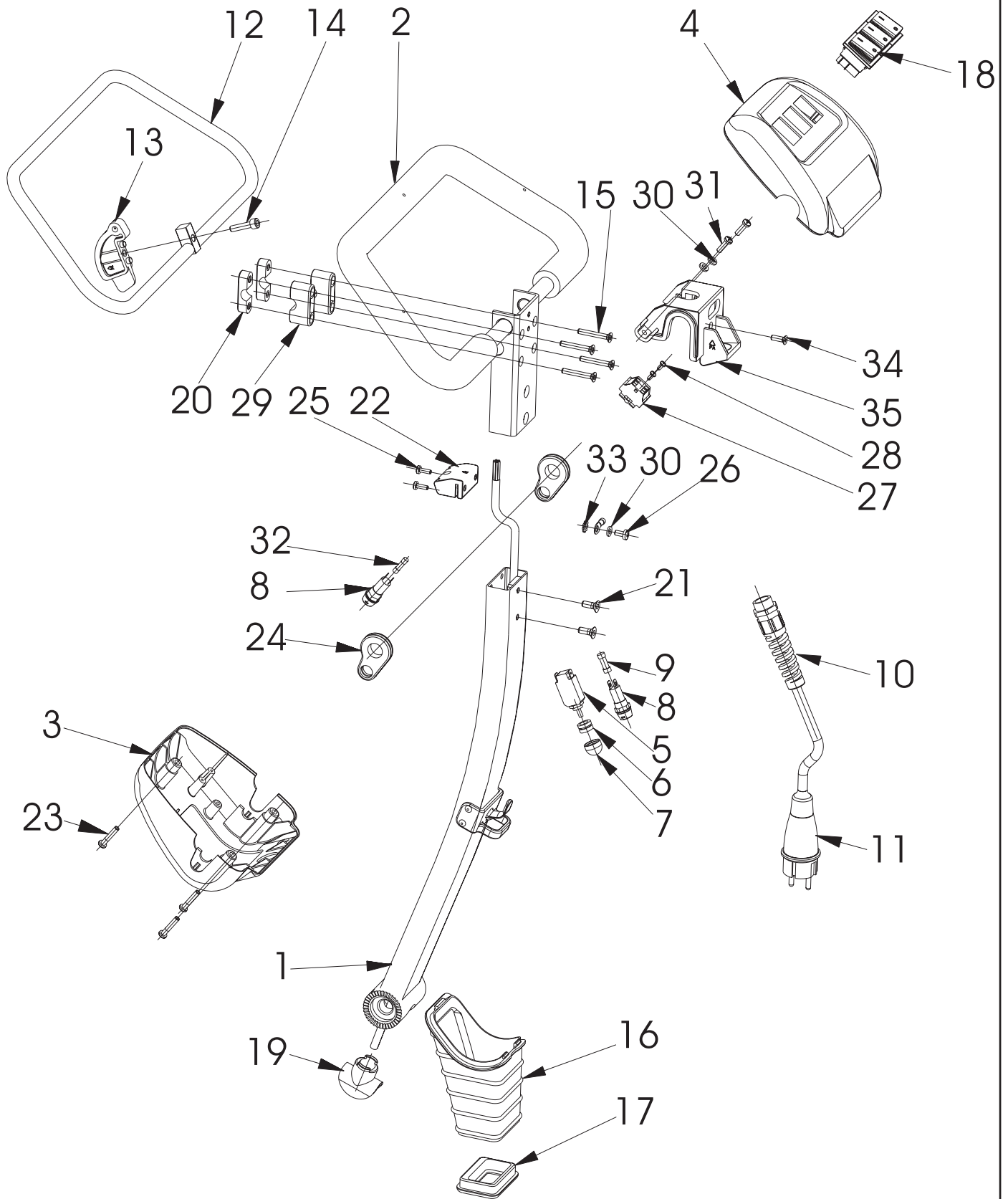
Disconnect the mains plug before executing maintenance or repair work. After these works have Finished, proceed to a safety check.

Spare Parts Manual



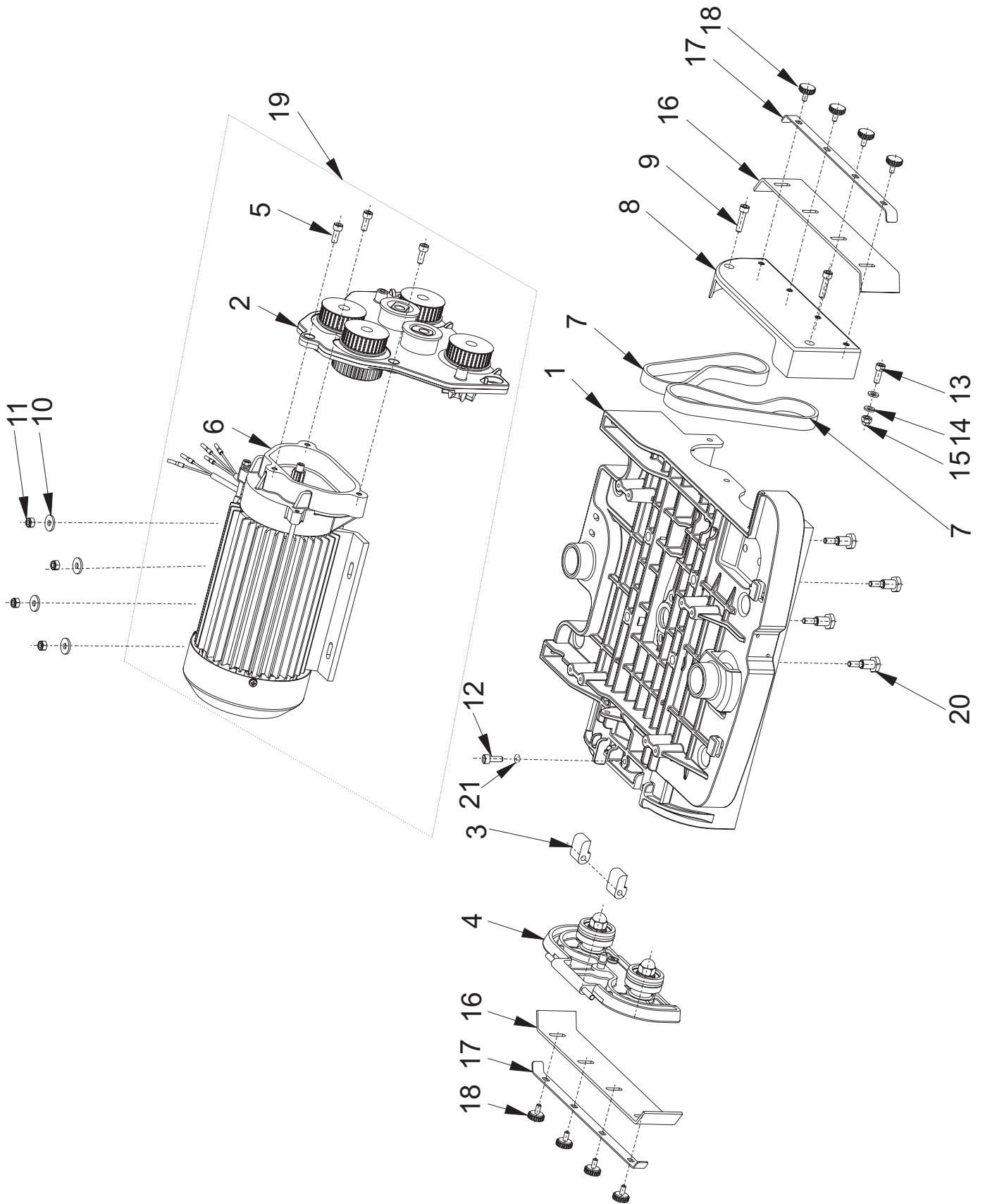
Chassis Group

Ref. No	Part No	Description	Size	Qty
1	3180004	Base Frame Assy		1
2	3130077	Seal - Wheel		4
3	931756	Wheel		2
4	3130071	Bush-Wheel		4
5	3130038	Washer-Main Wheel		2
6	829306	Hex. Soc. CSK. Head Screw SS	M6x16	2
7	931128	Cover Wheel		2
8	931045	Hex Soc. Head Pin		1
9	3130054	Bush LH&RH- Pillar Handle		2
10	931753	Knob - Handle		1
11	931783	Cover Assy - Pillar		1
12	829203	Hex.Soc.CSK. Head Screw SS	M5x10	2
13	3130062	Lifting Handle-Frame		1



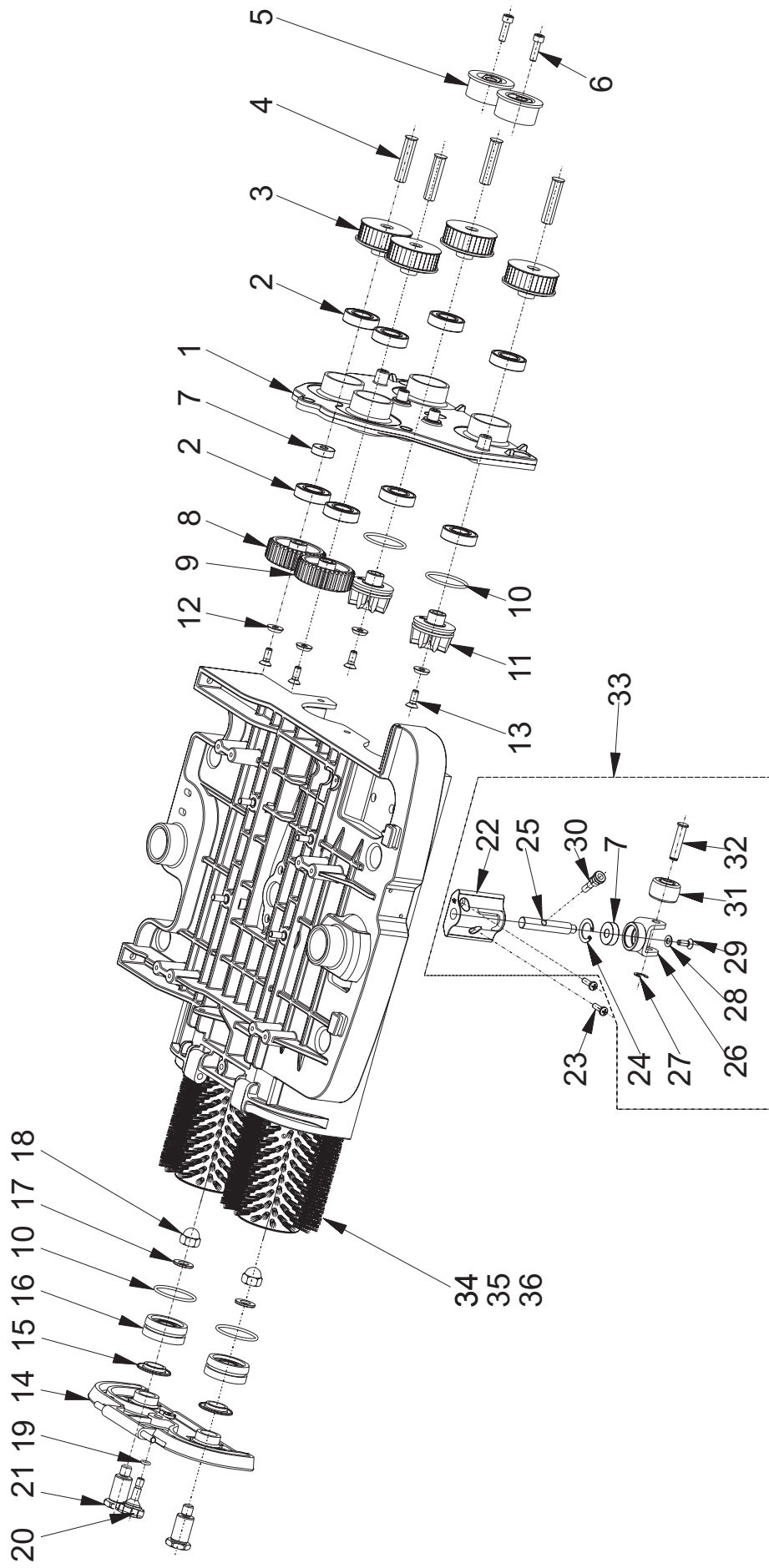
Handle Group

Ref. No	Part No	Description	Size	Qty
1	3180016	Handle (Weldment)		1
2	3180029	Steering Assy		1
3	931281	Switch Cover - Bottom		1
4	3130120	Switch Cover - Top		1
5	847001	Circuit Breaker 9A		1
6	928107	Nut - Circuit Breaker		1
7	925124	Cap - Circuit Breaker		1
8	927095	Fuse Holder		2
9	932106	Glass Fuse - T10A		1
10	872004	Cable Gland with Spiral Guards PG16		1
11	931835	Power Cable Assy	12m	1
12	931776	Shifter Assy		1
13	931174	Bracket - Shifter		1
14	831308	Hex. Soc. Hd Cap Screw - St	M6X25	1
15	828210	Hex. Soc. Csk Hd Screw - St	M5X35	4
16	931183	Bellow - Handle		1
17	931199	Plug - Handle Cover		1
18	3530072	Switch		3
19	931182	Boot Cable		1
20	931166	Guide - Shifter Top		2
21	829306	Hex Soc CSK HD Screw	M6X16	2
22	931158	Guide - Rope		1
23	837208	CRPH Self Tapping Screw - St	4.8X25	3
24	931194	Grommet - Switch Cover		2
25	818104	CR Pan Head Screw - SS	M4X12	2
26	817203	CR Pan Head Screw - St	M5X10	1
27	931845	Connector - Elec. Box		1
28	836004	CRPH Self Screw - SS	3.5X13	2
29	931134	Guide - Shifter Bottom		2
30	845052	Washer - SS	5.2X10X1.6	3
31	837207	CRPH Self Tapping Screw - St	4.8X16	2
32	931234	Glass Fuse - T0.5A		1
33	866050	External Toothed Washer - St	M5	1
34	812205	CRCSK Screw	M5x15	1
35	3130072	Bracket-Channel		1



Brush Drive Group

Ref. No	Part No	Description	Size	Qty
1	3130002	Housing - Brush		1
2	3180022	Housing Assy-Gear Support		1
3	931171	Hinge - Idler End		2
4	3180062	Idler Support Assy Brush		1
5	831306	Hex. Soc.Hd Cap Screw -SS	M6X16	3
6	3180053	Brush Motor		1
7	925002	Drive Belt 425-5M-15-HTD		2
8	3180028	Cover - With Seal		1
9	831308	Hex-Soc-Hd-Cap-Screw	M6X25	2
10	844063	Washer	6.4X18X2	4
11	859068	Hex. Nylock Nut - St	M6	4
12	818206	CRPH-Screw	M5X16	1
13	831306	Hex Soc Hd Cap Screw	M6x16	1
14	844061	Washer	6.4X12X1.6	2
15	838060	Domed Cap Nut-SS	M6	1
16	931235	Lip-Flash Guard		2
17	3130024	Strip-Flash Guard		2
18	931172	Knob-SQG		8
19	3180052	Geared Motor with Drive		1
20	3130010	Stud-Brush Housing		4
21	845052	Washer	5.2X10X1.6	1

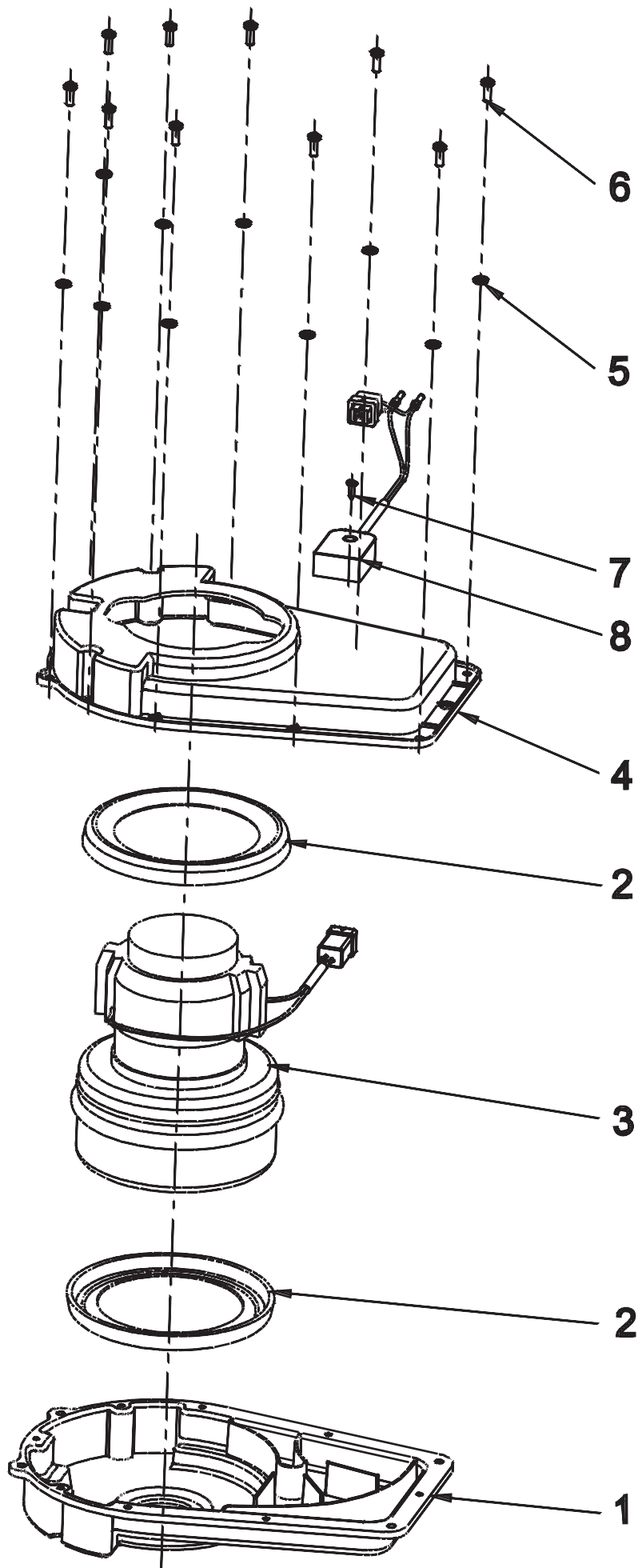


Brush Head Group

Ref. No	Part No	Description	Size	Qty
1	3130006	Housing-Gear Support		1
2	875010	Bearing	6003 2RS	8
3	3180008	Sprocket Assy Gear		4
4	931027	Drive Key		4
5	931815	Idler - Plain Assy		2
6	831307	Hex. Soc. Hd Cap Screw - St	M6X20	2
7	875011	Bearing	608 2Z	2
8	931036	Gear-LH		1
9	931035	Gear-RH		1
10	854007	O' Ring	36X2.5	4
11	931129	Pulley-Drive		2
12	925012	Washer-Bridge		4
13	829306	Hex-Soc-CSK-Hd-Screw-SS	M6X16	4
14	3130005	Cover Idler End		1
15	931157	Spacer-Idler End		2
16	3130075	Idler Pulley - Brush		2
17	845101	Washer-SS-304	10.5X20X2	2
18	838100	Domed Cap Nut-SS	M10	2
19	854008	Oring	6X2.0	1
20	931758	Knob		1
21	3130042	Pin-Idler End		2
22	3130066	Bracket-Parking Wheel		1
23	837207	Self Tapping Screw	4.8X16	2
24	881041	Circlip Internal	Light B22	1
25	3130035	Pin-Parking Stand		1
26	3180024	Bracket-Castor		1
27	925129	Circlip	E6.0 (Type C)	1
28	3130021	Washer-Castor		1
29	829203	Hex-Soc-CSK-Hd-Screw-SS	M5X10	1
30	3130067	Knob-Parking Wheel		1
31	3130043	Wheel-Parking		1
32	3130034	Pin-Wheel		1
33	3180023	Parking Wheel Kit		1

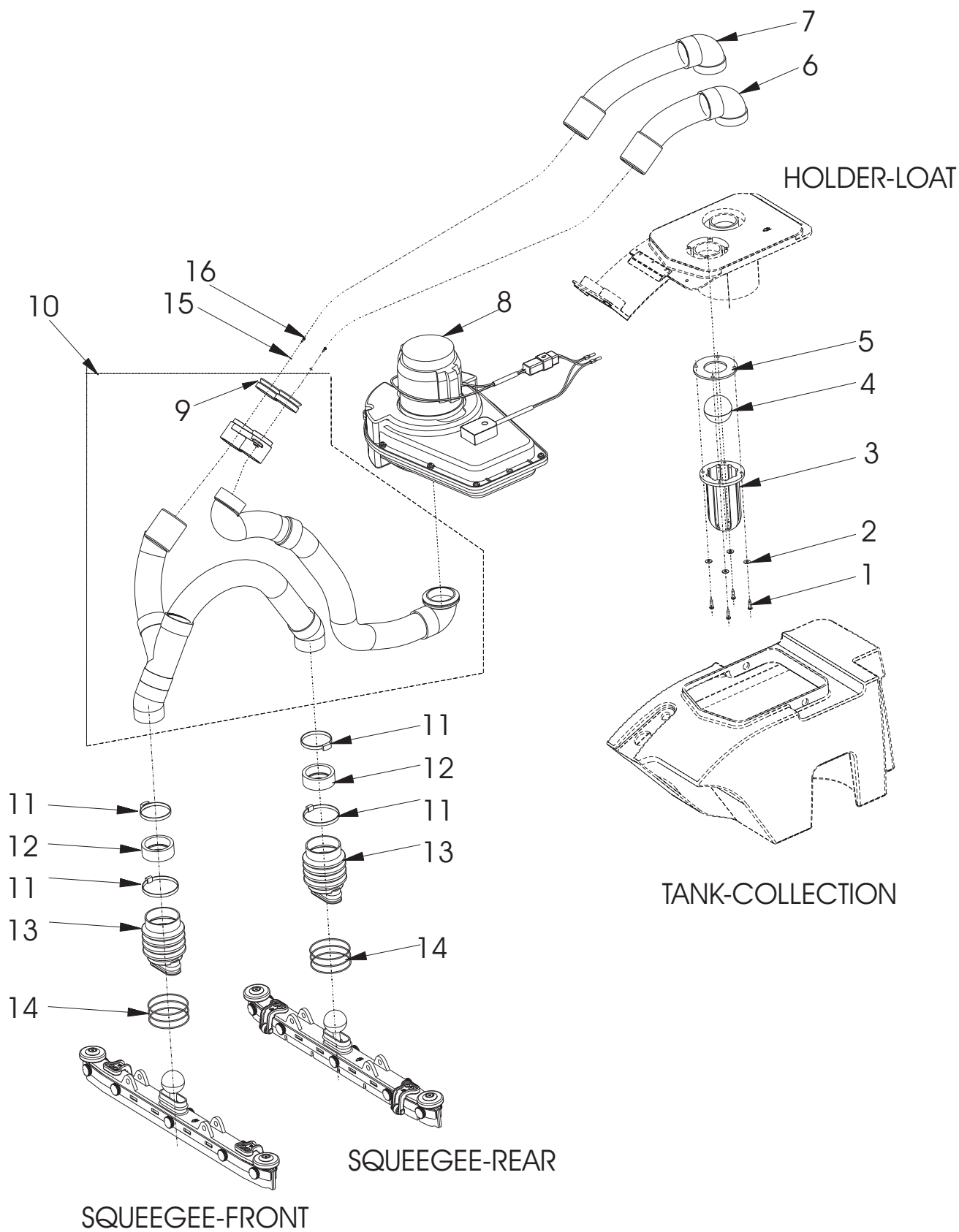
OPTIONAL

34	931892	Brush (PA / Blue)		2
35	931893	Brush (PP / Black)		2
36	931894	Brush (SIC / Grey)		2



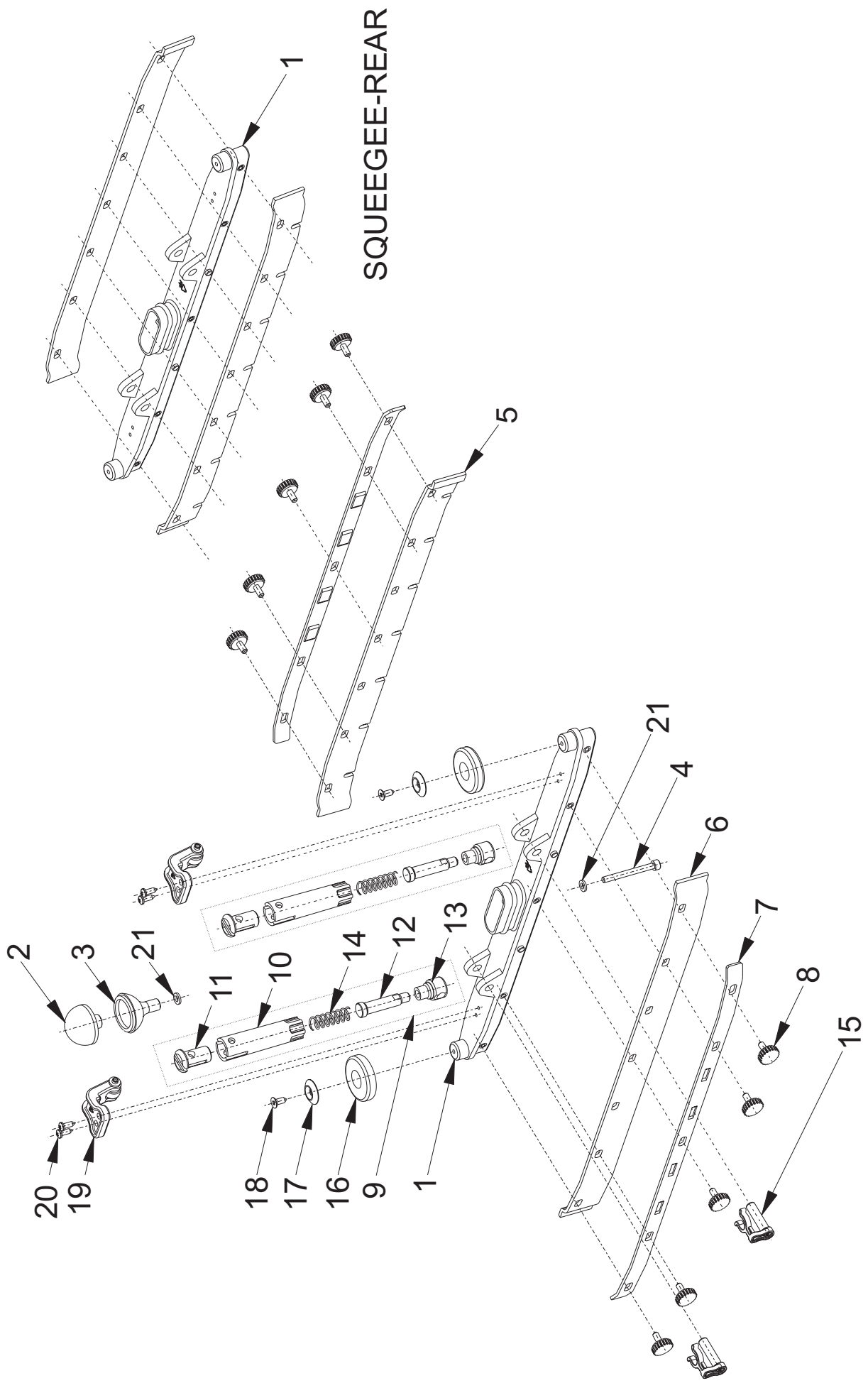
Vacuum Motor Assembly

Ref. No	Part No	Description	Size	Qty
1	3130046	Hsg Bottom - V.M		1
2	931197	Gasket - V.M		2
3	931857	V.M with Connector Assy		1
4	3130047	Hsg Top - V.M		1
5	845052	Washer - SS 304	5.2X10X1.6	10
6	837210	Self Tap Screw	4.8X13	10
7	836004	CRPH Self Screw - St	3.5X13	1
8	3180032	Wire Assy - V.M Capacitor		1



Vacuum Motor Group

Ref. No	Part No	Description	Size	Qty
1	836206	CRPH Self Tapping Screw - SS	3.5X16	4
2	845039	Washer - SS	4.0X8.0X0.5	4
3	931132	Guide - Float		1
4	931810	Float		1
5	931196	Gasket - Float		1
6	931850	Hose Assy - Vacuum		1
7	931851	Hose Assy - Collection		1
8	3180054	Vacuum Motor Sub Assy		1
9	931204	Gasket - Lip		2
10	3180044	Hose Assy SQG Group		1
11	881056	Cable tie Black	292 mm	4
12	931191	Lip - Valve		2
13	931184	Bellow - Sqq		2
14	931054	Ring - Bellow		6
15	844043	Washer - SS	4.3X12X1.0	2
16	818104	CRPH Screw	M4X12	2

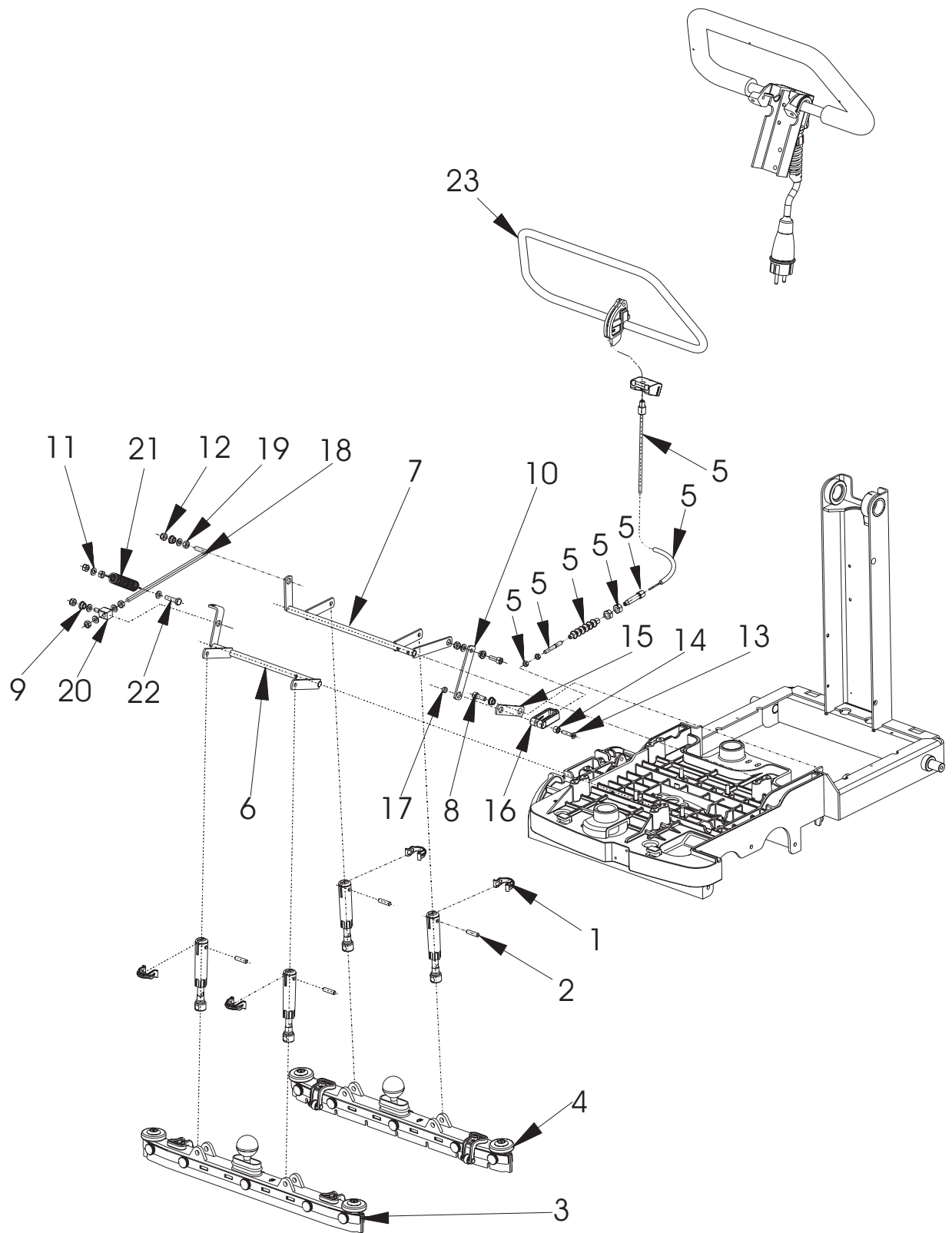


SQUEEGEE-REAR

SQUEEGEE-FRONT

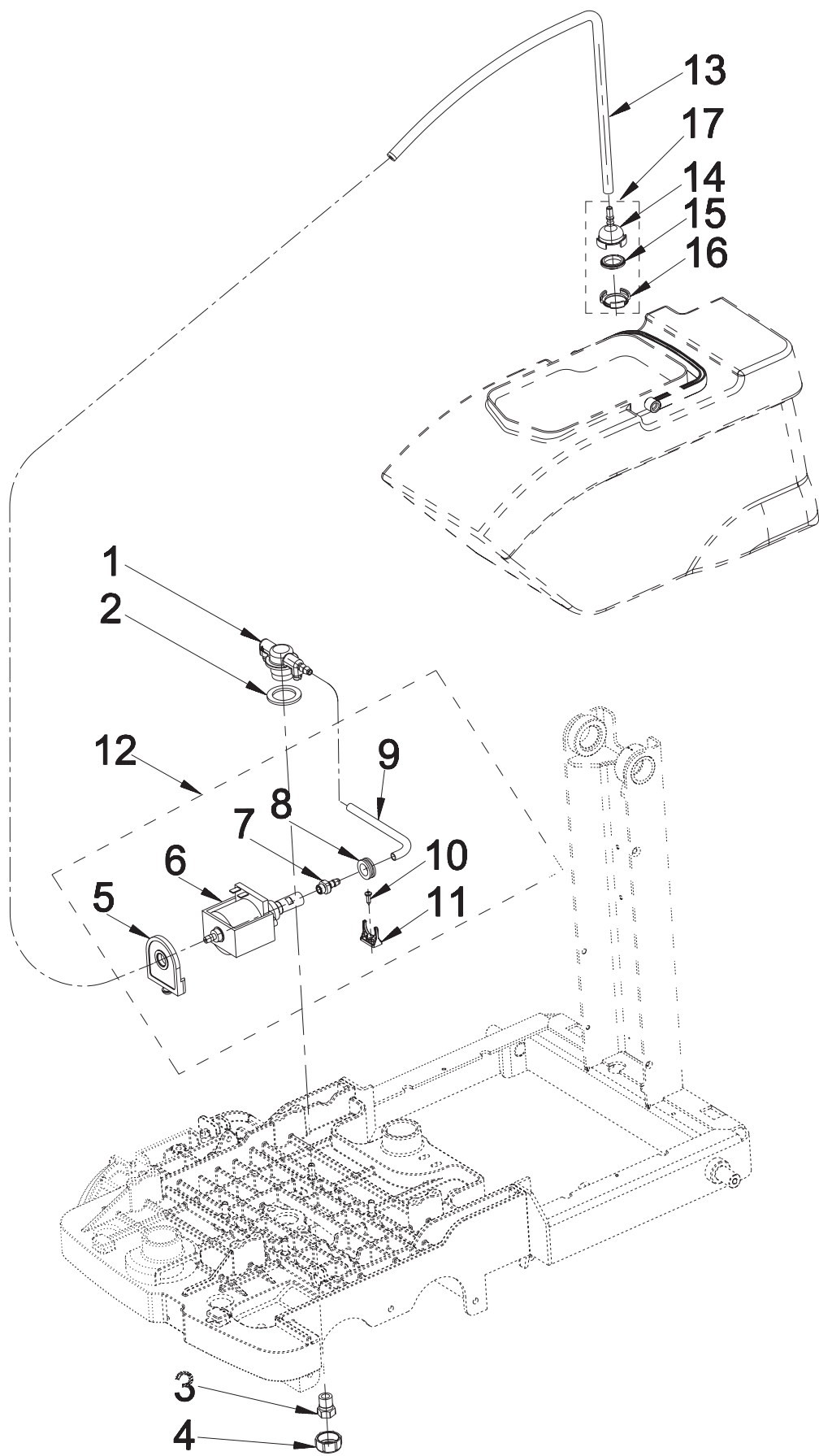
Squeegee Group

Ref. No	Part No	Description	Size	Qty
1	3130051	Body Sqq		2
2	931170	Valve Top		2
3	931126	Valve Bottom		2
4	832213	Hex. Soc. Hd Cap Screw - SS	M5X50	2
5	931233	Lip - Sqq. Inner		2
6	931224	Lip - Sqq. Outer		2
7	3130022	Strip - Lip Sqq		4
8	931172	Knob - Sqq		20
9	3180012	Squeegee Rod Sub Assy		4
10	3130048	Guide - Pillar Sqq		4
11	931175	Bush Top - Pillar Sqq.		4
12	931050	Pin 10 - Pillar Sqq		4
13	3130049	Bush Bottom - Pillar Sqq		4
14	931251	Spring - Pillar Sqq.		4
15	3130063	Locking Clip-SQG Pillar		4
16	931146	Deflector - Roller		4
17	931147	Washer - Deflector		4
18	841108	CSK-Self-Screw	4.8X13	4
19	931841	Wheel - Sqq. Assy		4
20	837210	CRPH-Self-Screw-SS	4.8X13	8
21	845052	Washer - SS	5.2X10X1.6	4



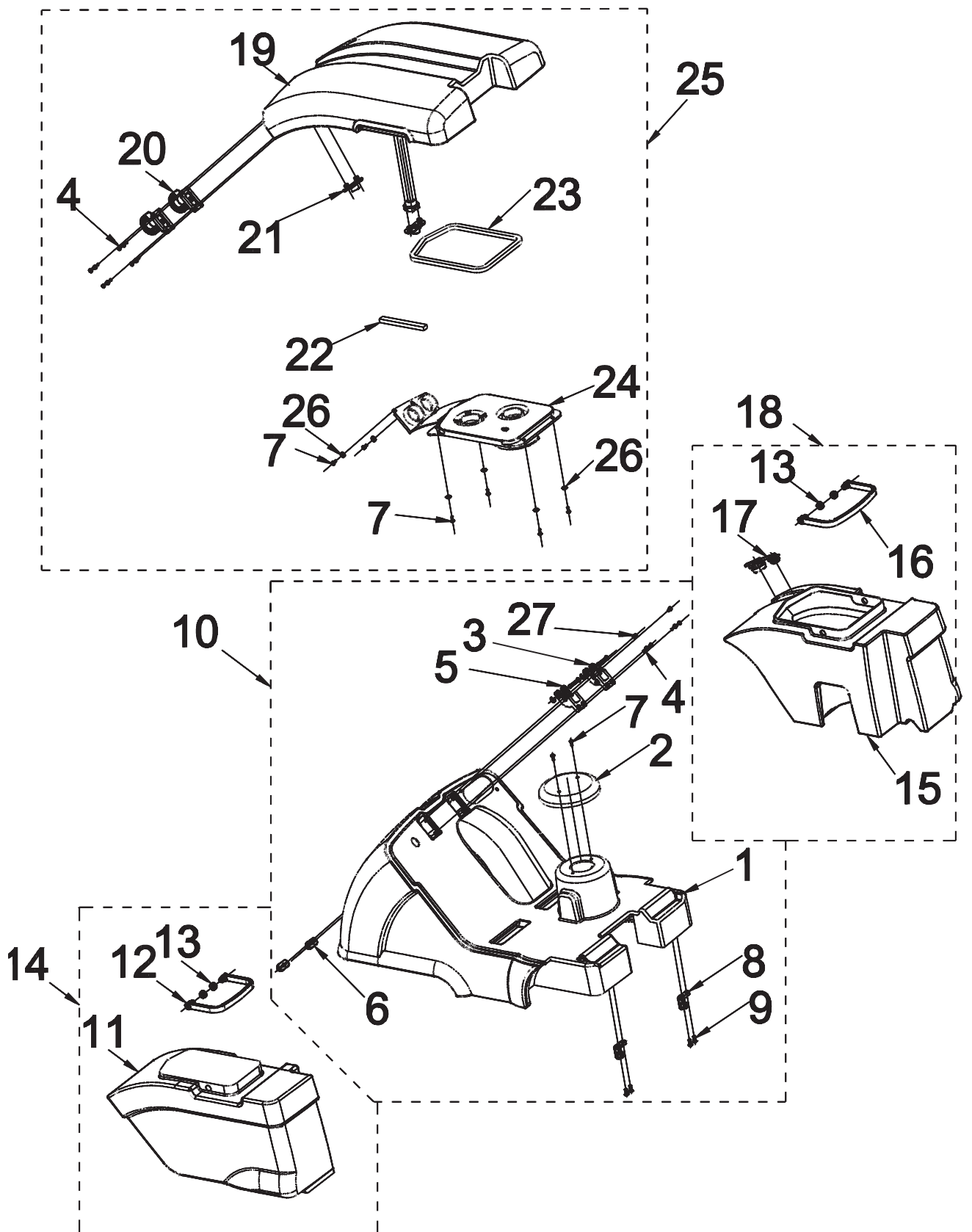
Squeegee Lifting System

Ref. No	Part No	Description	Size	Qty
1	931181	Clip - Clamp		4
2	931051	Pin 6 - Pillar Sqq		4
3	3180013	Squeegee Front		1
4	3180014	Squeegee Rear		1
5	931804	Cable Assy - Squeegee		1
6	3180027	Sqq Rod Assy - Front		1
7	3180026	Sqq. Rod Assy - Rear		1
8	831323	Hex. Socket Head Cap Screw - St	M6X18	2
9	3130053	Bush-SQG		4
10	931109	Link - 75		1
11	844061	Washer - St	6.4X12X1.6	7
12	859068	Hex. Nylock Nut - St	M6	4
13	828208	Hex-Soc-CSK-Hd-Screw	M5X25	1
14	3130052	Bush9.8-SQG		1
15	931107	Link - 50		1
16	3130061	U Bracket - Stud		1
17	822058	Hex-Nut	M5	3
18	3130018	Stud - Link Adj		1
19	822068	Hex-Nut	M6	4
20	3130019	Connector - Link		1
21	931252	Hook - Spring		1
22	803308	Hex Head Screw	M6X25	1
23	931819	Shifting Lever Assy		1



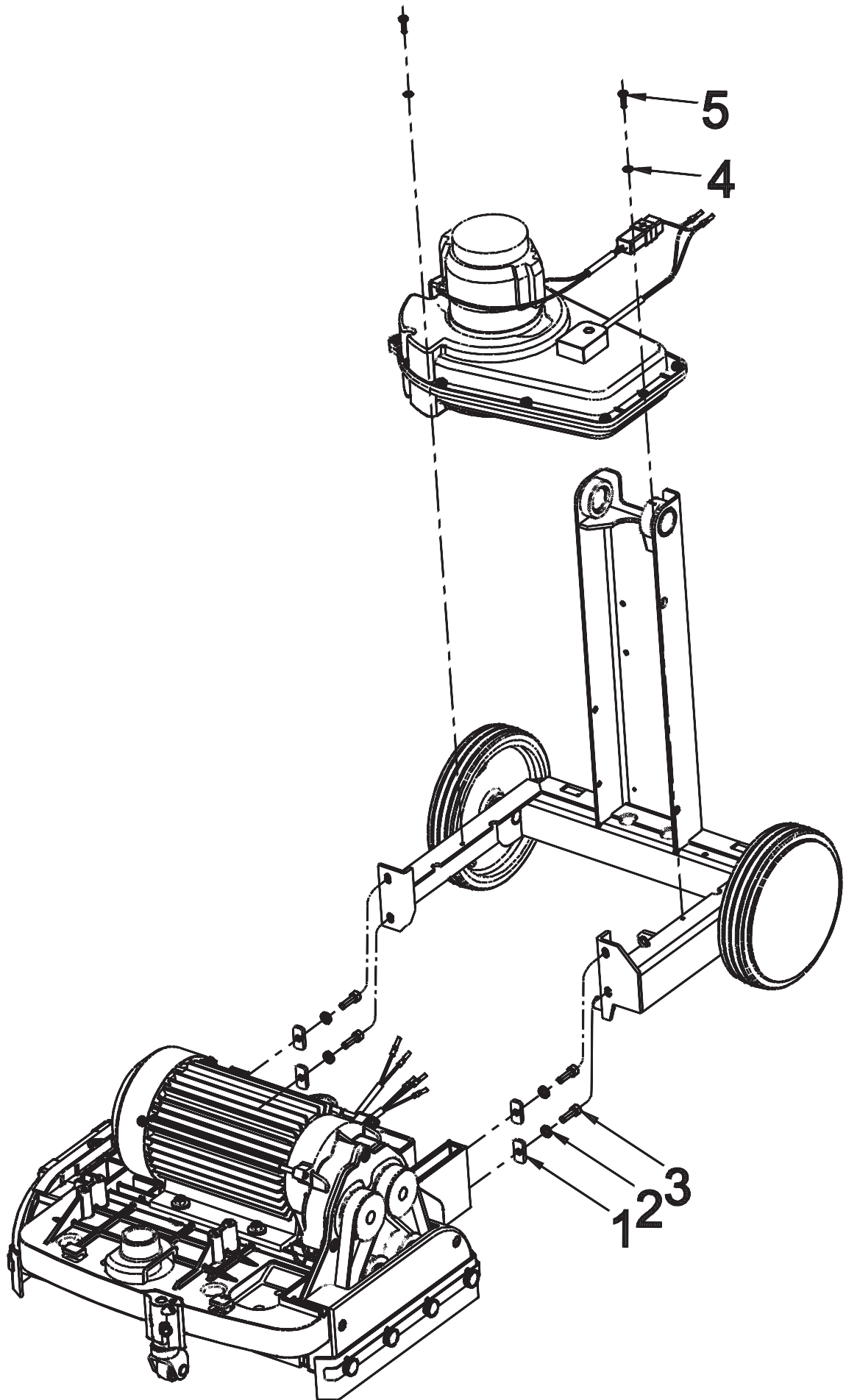
Water Feed System

Ref. No	Part No	Description	Size	Qty
1	931142	Holder - Nozzle		1
2	931198	Washer - Nozzle		1
3	931816	Nozzle Assy		1
4	931143	Nut - Nozzle		1
5	3130113	Vibrating Pad-Pump		2
6	925325	Vibrating Pump		1
7	3130111	Connector-Pump		1
8	928054	Support Ring		1
9	3130116	Hose - Nozzle		1
10	836004	CRPH Self Screw - SS	3.5X13	1
11	3130112	Clamp-Pump		1
12	3180063	Pump Assy 115V 60Hz		1
13	931290	Hose - Pump	L=875.0±5.0	1
14	928062	Body-Filter		1
15	928063	Filter		1
16	3130074	Cap-Filter		1
17	931809	Filter Assy		1



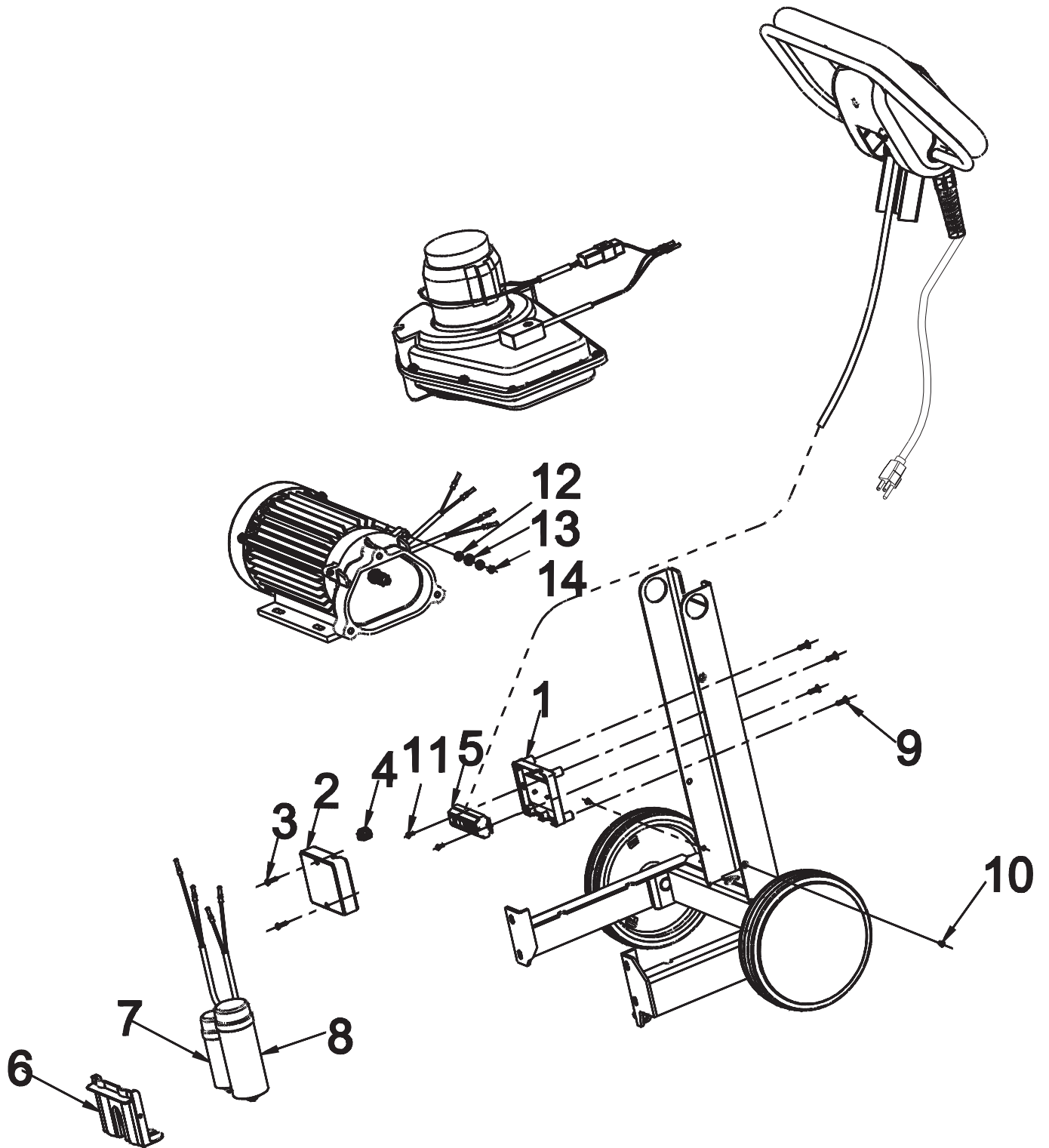
Tank Group

Ref. No	Part No	Description	Size	Qty
1	3130117	Bottom Housing		1
2	931125	Cap - V.M		1
3	931144	Yoke Hinge - Lid (Right)		1
4	836206	CRPH Self Screw-SS	3.5X16	12
5	931162	Yoke Hinge - Lid (Left)		1
6	3130068	Mounting Plate - Bot. Hsg		2
7	836004	CRPH Self Screw - SS	3.5X13	8
8	931159	Bracket - Housing		2
9	812104	CRCSK Screw - St	M4X12	4
10	3180057	Bottom Housing Assy		1
11	3130119	Tank - Fresh		1
12	3130060	Handle - Fresh		1
13	3130050	Spacer - Tank		4
14	3180059	Tank - Fresh assy		1
15	3130118	Tank - Collection		1
16	3130058	Handle - Collection		1
17	931203	Cap - Collection Tank		1
18	3180058	Tank - Collection Assy		1
19	931216	Lid		1
20	931145	Hook Hinge - Lid		2
21	931156	Hose Guide		2
22	931265	Gasket - Fresh		1
23	931264	Gasket - Collection		1
24	3180046	Holder Float Assembly		1
25	3180060	Top Cover Assy		1
26	845039	Washer -SS	4.0X8.0X0.5	6
27	836003	CRPH Self Tapping Screw-SS	3.5X9.5(DIN 7981)	2



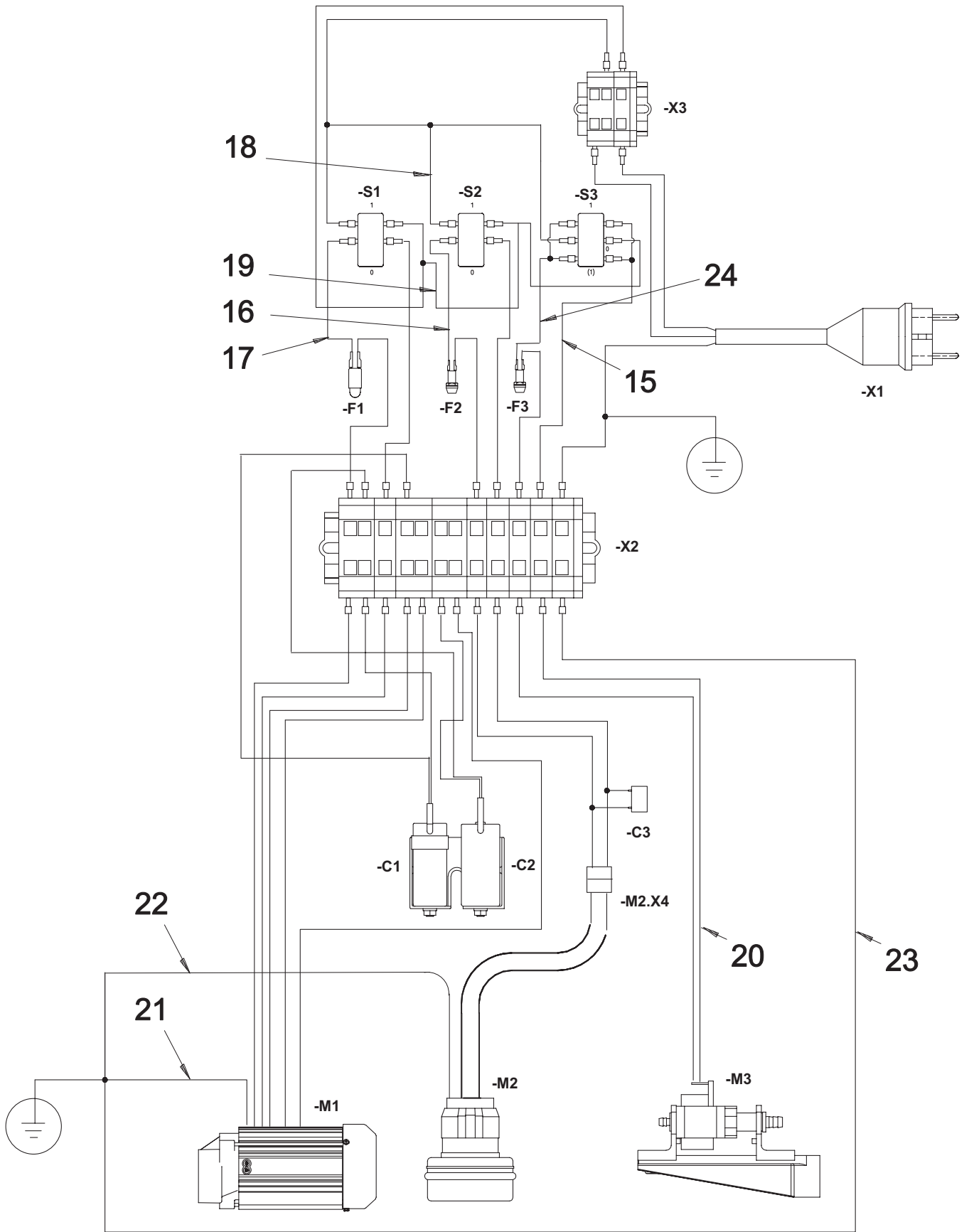
Drive Group

Ref. No	Part No	Description	Size	Qty
1	3130040	Support Plate-Housing		4
2	844061	Washer	6.4X12X16	4
3	831307	Hex Soc Hd Cap Screw	M6X20	4
4	845041	Washer-SS	4.3X9X0.8	2
5	818105	CR Pan Head-SS	M4X15	2



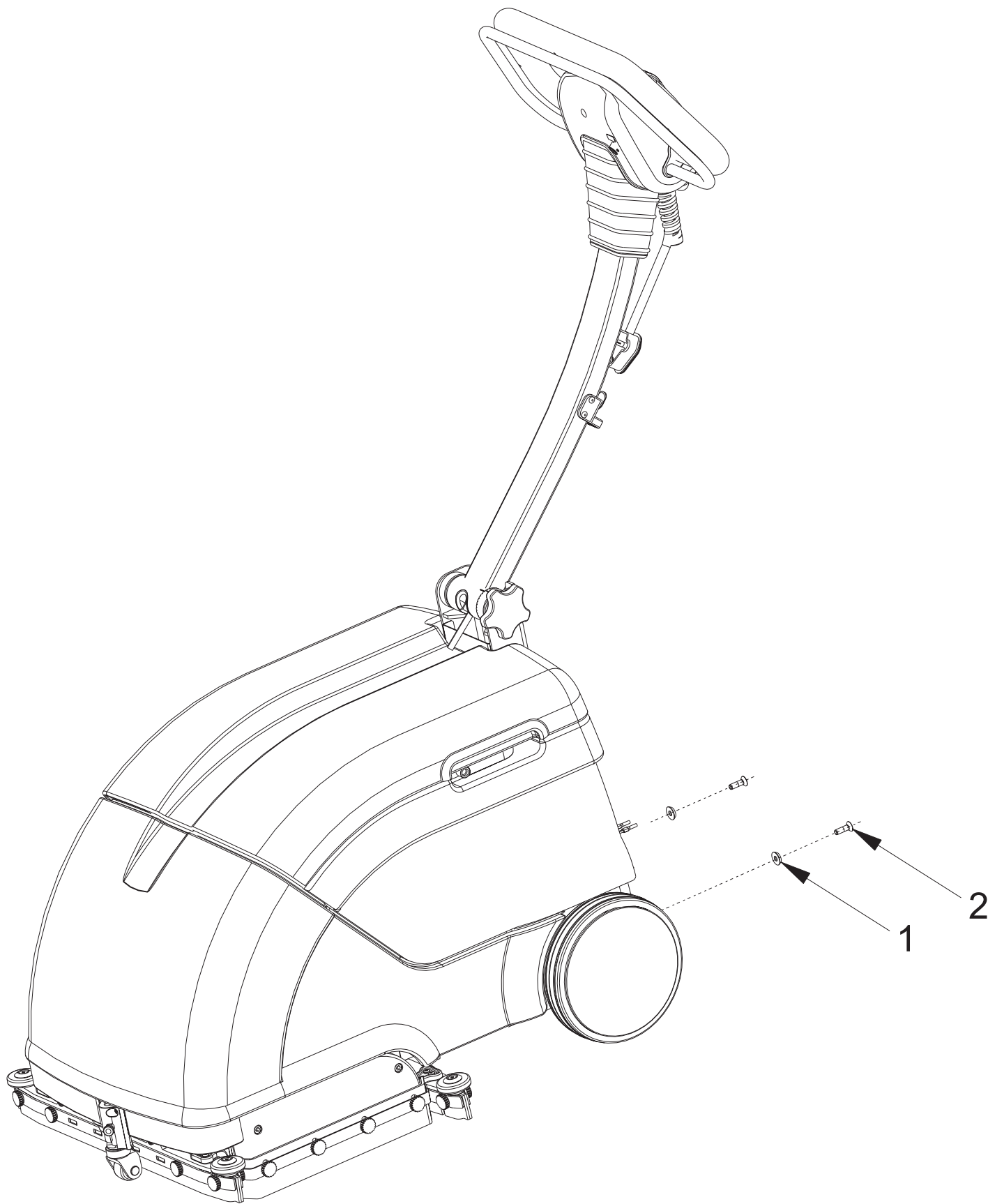
Electrical Group

Ref. No	Part No	Description	Size	Qty
1	3130055	Base - Terminal		1
2	931150	Cover - Terminal		1
3	836006	CRPH Self Screw - SS	3X16	2
4	931195	Grommet - Terminal		1
5	931844	Connector - Pillar		1
6	931123	Bracket - Capacitor		1
7	931876	Capacitor - 150-200 μ F assy	150-200 μ F	1
8	931875	Capacitor - 60 μ F assy	60 μ F	1
9	841106	CSK Self Screw	4.2X16	4
10	841103	CRCSK Head Self Screw - St	4X10	2
11	835002	CRPH Self Screw - St	2.9X9.5	2
12	845052	Washer - SS	5.2X10X1.6	2
13	866050	External Toothed Washer - St	M5	1
14	822058	Hex Nut	M5	1



Electrical Group

Ref. No	Part No	Description	Size	Qty
15	931874	7Core cable assy		1
16	931863	Wire Assy - (S2 to F2)		1
17	931864	Wire Assy - (S1 to F1)		1
18	931865	Wire Assy - (X3 to S1, S2 & S3 +VE)		1
19	931866	Wire Assy - (X3 to S1, S2 & S3 -VE)		1
20	931895	2 Core cable assy (Pump)		1
21	931868	Earth cable assy (BM)		1
22	931878	Earth cable assy (VM)		1
23	931870	Earth cable assy (Connector)		1
24	931871	Wire Assy-(S3 TO F3)		1



Port A Scrub 14 Assy

Ref. No	Part No	Description	Size	Qty
1	925012	Washer-Bridge		2
2	829307	Hex Soc CSK Hd Screw-SS	M6X20	2

LIMITED WARRANTY

Minuteman International, Inc. warrants to the original purchaser/user that this product is free from defects in workmanship and materials under normal use and service for a period of one year from date of purchase. In addition, Minuteman International, Inc will, at its option, honor labor warranty claims for the first 6 months from date of sale, provided such claims are submitted through and approved by factory authorized repair stations. Minuteman International, Inc will, at its option, repair or replace without charge, except for transportation costs, parts that fail under normal use and service when operated and maintained in accordance with the applicable operation and instruction manuals.

This warranty does not apply to normal wear, or to items whose life is dependent on their use and care, such as belts, cords, switches, hoses, rubber parts, electrical motor components or adjustments. Parts not manufactured by Minuteman International, Inc such as engines, batteries, battery chargers, hydraulic pumps, and tires are covered by and subject to the warranties and/or guarantees of their manufacturers. Please contact Minuteman International, Inc for procedures in warranty claims against these manufacturers.

Special warning to purchaser - Use of replacement filters and / or pre-filters not manufactured by Minuteman International, Inc. or its designated licensees will void all warranties expressed or implied.

A potential health hazard exists without exact original equipment replacement.

All warranted items become the sole property of Minuteman International, Inc. or its original manufacturer, whichever the case may be.

Minuteman International, Inc. disclaims any implied warranty, including the warranty of merchantability and the warranty of fitness for a particular purpose. Minuteman International Inc. assumes no responsibility for any special, incidental or consequential damages.

This limited warranty is applicable only on the U.S.A. and Canada, and is extended only to the original user / purchaser of this product. Customers outside the U. S. A and Canada should contact their local distributor for export warranty policies. Minuteman International Inc. is not responsible for costs or repairs performed by persons other than those specifically authorized by Minuteman International, Inc. This warranty does not apply to damage from transportation, alterations by unauthorized person, misuse or abuse of the equipment, use of non-compatible chemicals, or damage to property, or loss of income due to malfunctions of the product.

If a difficulty develops with this machine, you should contact the dealer from whom it was purchased.

This warranty gives you specific legal rights, and you may have other rights, which vary from state to state. Some states do not allow the exclusion of limitation of special, incidental or consequential damages, or limitations on how long an implied warranty lasts, so the above exclusions and limitations may not apply to you.

Minuteman[®]

World Headquarters
Minuteman International, Inc.
111 South Rohlwing Road
Addison, Illinois 60101

(630) 627-6900
FAX (630) 627-1130

Minuteman Canada, Inc.
2210 Drew Road,
Mississauga, Ontario
L5S 1B1

(905) 673-3222
FAX (905) 673-5161

3130101

Rev A 06/07

Printed in U.S.A